

Flange-Connection Lifting Plug Valve Acc.To ANSI

IN PACE WITH THE WORLD TO FORM AN CHINA MODEL

Product structural features

Flange-connection lifting plug valve acc.to ANSI is applicable to the cutting and connection of pipelines medium that are used in various industries such as petroleum,chemical industry,pharmacy,chemical fertilizer,power industry etc under niminal pressure of CLASS150-1500LBS,and working temperature of -29~550°C.

Main structural features

- 1、 The product has reasonable structure, reliable sealing, excellent performance and beautiful appearance.
- 2、 Opening and closing of the valve is carride out while the sealed surface is taken off ,so it will not cause abrasion on the sealed surface.
- 3、 Its characteristic double-direction flow makes installation and use more convenient.
- 4、 The materials of the parts and sizes of flanges can be reasonably configured according the actual operation condition of the requiee-ments of the customersm,so as to meet the various needs of engineering.

Principle of opening and closing of the valve

Process of opening and closing of the valve.when opening the valve,first of all,turn the hand wheel to make the plug lifted and separated with the sealed surface,the turn the handle by 90 bdgree to connect the channel of plug to the channel of valve body,so that the valve is opened;when closing the valve,first of all,turn the handle by 90degree to make the channel of plug vertical to the channel of valve body,and then turn the hand wheel to deescend the plug,so that the valve is closed.

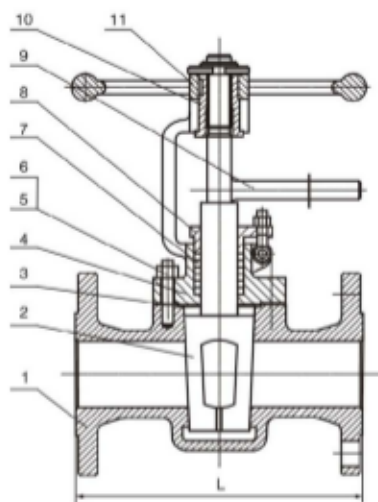
Technical specifiction

Structural formation	BB-BG-OS&Y
Diving manner	Handwheel、 bevel gear wrench
Design standard	API599, API6D
Face to face	ASME B16.10
Flange end	ASME B16.5
Test&inspection	API598,API6D

Note:the size of serial valve connecting flange can be designed according to customers'requirement.

Products performance specifiction

Nominal pressure (LB)	Shell test (MPa)	Sealing test (MPa)	Suitable temp.(°C)	Suitable madium
150	3.0	2.2	≤550°C	Water oil&gas
300	7.5	5.5		
600	15.0	11.0		
900	22.5	16.5		
1500	37.5	27.5		

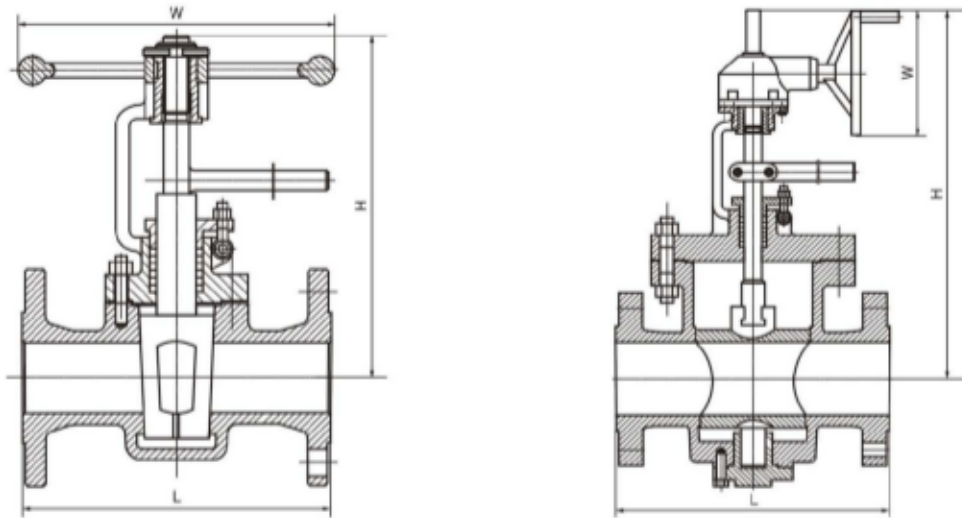


Main parts materials

NO.	Part name	Material
1	Body	ASTM A216-WCB ASTM A217-WC1, WC6, WC9, C5 ASTM A351-CF8, CF8M, CF3, CF3M
2	Plug	ASTM A182-Gr.F6a ASTM A182-F22 ASTM A182-F304, F316, F321, F304L, F316L
3	Gasket	Flexible graphite+stainless steel, PTFE
4	Cover	ASTM A216-WCB ASTM A217-WC1, WC6, WC9, C5 ASTM A351-CF8, CF8M, CF3, CF3M
5	Bolt	ASTM A193-B7, A320-B8A193-B8M
6	Nut	ASTM A194-2H, A194-8, A194-8M
7	Packing	Flexible graphite, PTFE
8	Gland	ASTM A216-WCB ASTM A217-WC1, WC6, WC9, C5 ASTM A315-CF8, CF8M, CF3, CF3M
9	Wrench	ASTM A216-WCB ASTM A351-CF8, CF8M, CF3, CF3M
10	Yoke nut	Copper alloy ZQA19-4
11	Handwheel	ASTM A536 Gr.60-40-18 ASTM A216-WCB

Flange-Connection Lifting Plug Valve Acc.To ANSI

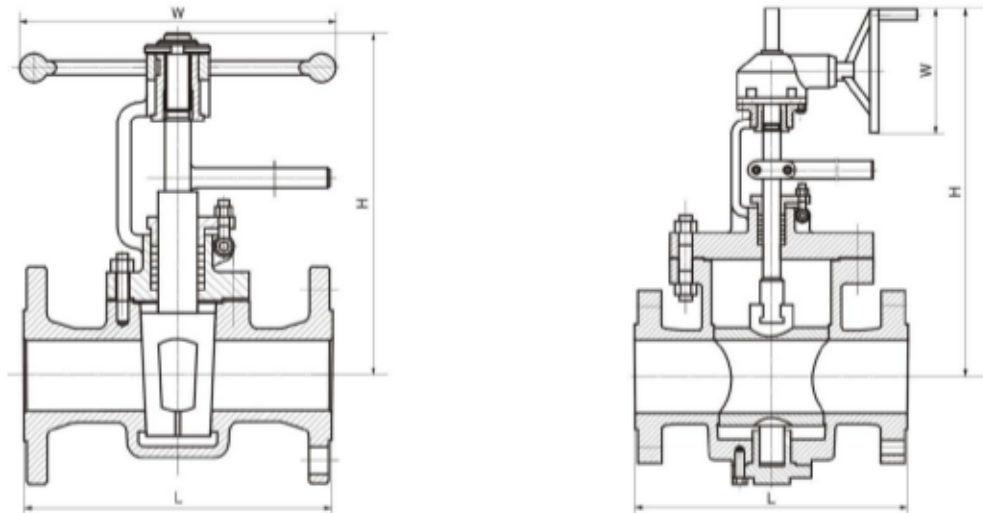
IN PACE WITH THE WORLD TO FORM AN CHINA MODEL



Main dimension and weight

Model		ZDALX43-150LB														
Pressure		150LB														
Size	mm	15	20	25	32	40	50	65	80	100	125	150	200	250	300	350
	in			1	1¼	1½	2	2½	3	4	5	6	8	10	12	14
L		108	117	127	140	165	178	190	203	229	254	267	292	330	356	686
H		190	195	225	260	280	310	340	395	435	470	535	590	630	680	720
W		120	140	140	180	200	220	260	280	300	340	400	450	450	500	500
Weight (Kg)		9	10	11	17	19	23	25	32	55	82	98	130	178	250	380

Model		ZDALX43-300LB														
Pressure		300LB														
Size	mm	15	20	25	32	40	50	65	80	100	125	150	200	250	300	350
	in			1	1¼	1½	2	2½	3	4	5	6	8	10	12	14
L		140	152	165	178	190	216	241	282	305	381	403	419	457	502	762
H		190	195	225	260	280	310	340	395	435	470	535	590	630	680	720
W		120	140	140	180	200	220	260	280	300	340	400	450	450	500	500
Weight (Kg)		10	12	14	19	21	28	34	39	75	95	135	200	255	415	650



Main dimension and weight

Model		ZDALX43-600LB														
Pressure		600LB														
Size	mm	15	20	25	32	40	50	65	80	100	125	150	200	250	300	350
	in	1/2	3/4	1	1 1/4	1 1/2	2	2 1/2	3	4	5	6	8	10	12	14
L		165	190	216	229	241	292	330	356	432	508	559	660	787	838	889
H		190	195	225	260	280	310	340	395	435	470	535	590	630	680	720
W		120	140	140	180	200	220	260	280	300	340	400	450	450	500	500
Weight (Kg)		13	14	19	23	25	32	40	55	105	139	300	440	730	1150	1570

Model		ZDAXL43-900LB														
Pressure		900LB														
Size	mm	15	20	25	32	40	50	65	80	100	125	150	200	250	300	350
	in	1/2	3/4	1	1 1/4	1 1/2	2	2 1/2	3	4	5	6	8	10	12	14
L		229	229	254	279	305	368	419	381	457	559	610	737	838	965	1029
H		190	195	225	260	280	310	340	395	435	470	535	590	630	680	720
W		120	140	140	180	200	220	260	280	300	340	400	450	450	500	500
Weight (Kg)		16	17	26	30	33	39	50	70	137	181	397	590	860	1470	1880