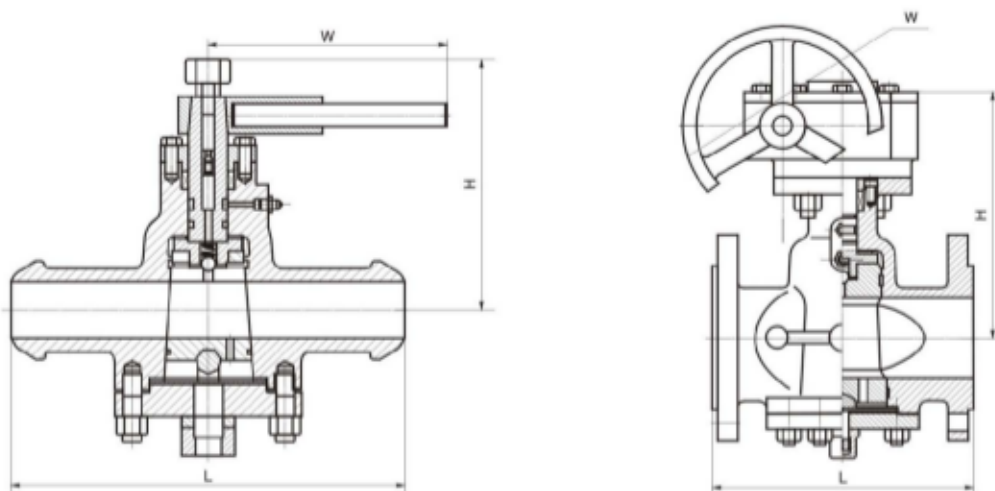


### Main parts materials

NO.	Part name	Material
1	Bolt	ASTM A193-B7, A320-B8, A193-B8M
2	Nut	ASTM A194-2H, A194-8, A194-8M
3	Cover	ASTM A216-WCB ASTM A217-WC1, WC6, WC9, C5 ASTM A351-CF8, CF8M, CF3, CF3M
4	Gasket	Flexible graphite+stainless steel, PTFE
5	Plug	ASTM A182-Gr.F6a ASTM A182-F22 ASTM A182-F304, F316, F321, F304L, F316L
6	Body	ASTM A216-WCB ASTM A217-WC1, WC6, WC9, C5 ASTM A351-CF8, CF8M, CF3, CF3M
7	Stem	ASTM A182-Gr.F6a ASTM A182-F22 ASTM A182-F304, F316, F321, F304L, F316L
8	O-ring	Butyl rubber NBR
9	Packing	Flexible graphite, PTFE
10	Gland	ASTM A216-WCB ASTM A217-WC1, WC6, WC9, C5 ASTM A351-CF8, CF8M, CF3, CF3M
11	Oil nozzle	
12	Check valve	
13	Wrench	ASTM A47-32510, A216 WCB

# Inverted Pressure Balance Lubricated Plug Valve Acc.To ANSI

IN PACE WITH THE WORLD TO FORM AN CHINA MODEL



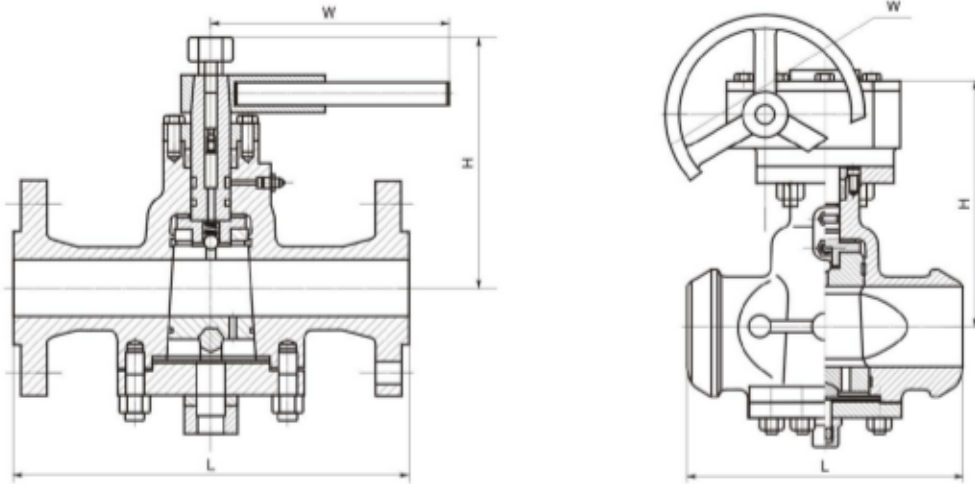
## Main dimension and weight

Model		ZDAX47-150LB														
Pressure		150LB														
Size	mm	15	20	25	32	40	50	65	80	100	125	150	200	250	300	350
	in			1	1/4	1/2	2	2/2	3	4	5	6	8	10	12	14
L		108	117	127	140	165	178	190	203	229	254	267	292	330	356	686
H		180	180	185	200	210	215	250	270	300	340	365	400	450	510	590
W		400	400	500	500	600	600	820	820	300	300	320	320	350	380	380
Weight (Kg)		10	12	14	17	19	21	29	33	48	75	98	125	171	230	370

4" or above with worm gear

Model		ZDAX47-300LB														
Pressure		300LB														
Size	mm	15	20	25	32	40	50	65	80	100	125	150	200	250	300	350
	in			1	1/4	1/2	2	2/2	3	4	5	6	8	10	12	14
L		140	152	165	178	190	216	241	282	305	381	403	419	457	502	762
H		180	180	185	200	210	215	250	270	300	340	365	400	450	510	590
W		400	400	500	600	600	820	1000	1000	300	300	320	320	350	380	380
Weight (Kg)		12	14	16	19	21	24	31	36	61	86	130	190	255	380	560

4" or above with worm gear



### Main dimension and weight

Model		ZDAX47-600LB														
Pressure		600LB														
Size	mm	15	20	25	32	40	50	65	80	100	125	150	200	250	300	350
	In	1/2	3/4	1	1 1/4	1 1/2	2	2 1/2	3	4	5	6	8	10	12	14
L		165	190	216	229	241	292	330	356	432	508	559	660	787	838	889
H		180	180	185	200	210	215	250	270	300	340	365	400	450	510	590
W		400	400	500	500	600	600	820	820	300	300	320	320	350	380	380
Weight (Kg)		14	16	18	20	24	29	35	47	91	129	210	320	660	920	1250

4" or above with worm gear

Model		ZDAX47-900LB														
Pressure		900LB														
Size	mm	15	20	25	32	40	50	65	80	100	125	150	200	250	300	350
	In	1/2	3/4	1	1 1/4	1 1/2	2	2 1/2	3	4	5	6	8	10	12	14
L		229	229	254	279	305	368	419	381	457	559	610	737	838	965	1029
H		180	180	185	200	210	215	250	270	300	340	365	400	450	510	590
W		400	400	500	600	600	820	1000	1000	300	300	320	320	350	380	380
Weight (Kg)		17	29	21	24	30	37	44	65	110	160	255	380	810	1050	1460

4" or above with worm gear