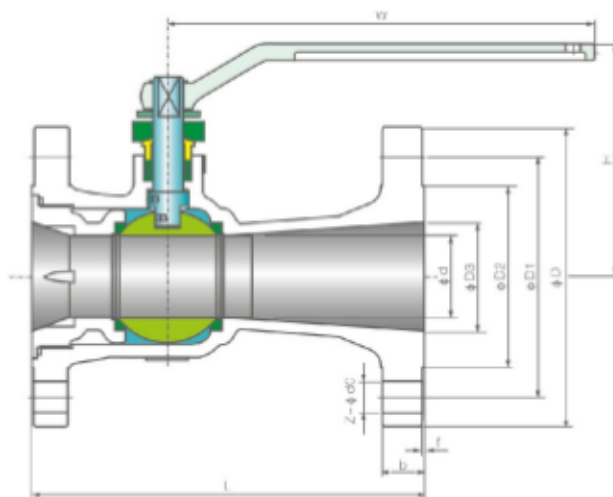


Application

A ball valve body is suitable for using on various pipelines of Class150 to Class300, PN16 to PN40, JIS10K to JIS20K to turn off or turn on the pipeline medium, of which operation manners are manual, worm gear, pneumatic or electric actuators, being of flange connection with bore reduced.



Main connection dimensions and weights

Class	Size		Dimensions (mm)										Weight (kg)	
	DN	NPS	L	d	D	D1	D2	D3	b	f	Z-φd0	W		H
Class150 PN20	40	1½	165	28	127	98.5	73	38	15	1.6	4-15	150	100	6
	50	2	178	38	152	120.5	92	51	16	1.6	4-19	200	132	8
	65	2½	190	50	178	139.5	105	64	18	1.6	4-19	250	142	12
	80	3	203	57	190	152.5	127	76	19	1.6	4-19	300	163	15
	100	4	229	76	229	190.5	157	102	24	1.6	8-19	350	178	29
	150	6	394	102	279	241.5	216	152	26	1.6	8-22	500	230	54
Class300 PN50	40	1½	190	28	156	114.5	73	38	21	1.6	4-22	150	100	9
	50	2	216	38	165	127	92	51	23	1.6	8-19	200	132	11
	65	2½	241	50	190	149	105	64	26	1.6	8-22	250	142	15
	80	3	283	57	210	168.5	127	76	29	1.6	8-22	300	164	22
	100	4	305	76	254	200	157	102	32	1.6	8-22	350	183	40
	150	6	403	102	318	270	216	152	37	1.6	12-22	500	230	81

Note: This table flange size according to ASME B16.5 standard. According to the user request, the flange size also may according to GB/T9112~9124, HG20615~20626, the SH 3,406 designs manufactures.