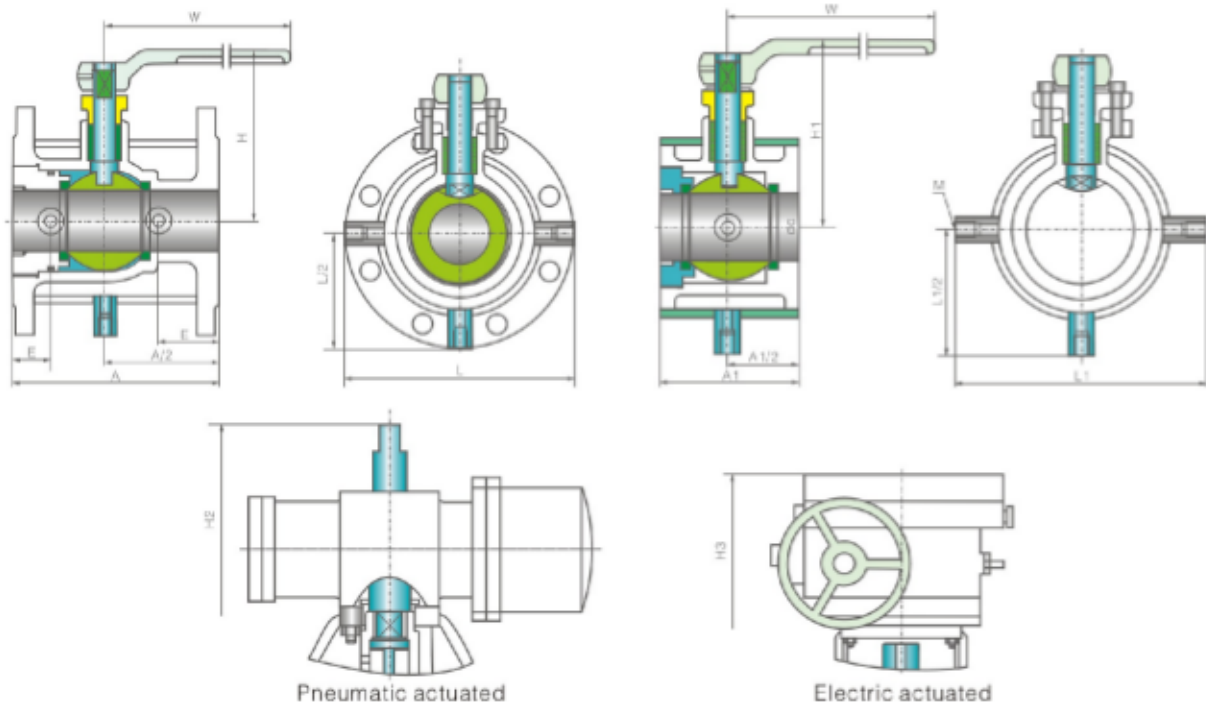


# Jacketed ball valve

## CLASS 150~CLASS 300



### Main outline dimensions class 150

mm

| DN  | NPS   | A   | A1  | do  | H   | H1  | H2  | H3  | W    | M     | L   | L1  | E    | Flange size | Weight (kg)  |
|-----|-------|-----|-----|-----|-----|-----|-----|-----|------|-------|-----|-----|------|-------------|--------------|
|     |       |     |     |     |     |     |     |     |      |       |     |     |      |             | Lever (PN16) |
| 15  | 1/2   | 110 | 50  | 15  | 63  | 101 | 126 | /   | 130  | ZG3/4 | 147 | 110 | 58.5 | DN40(11/2)  | 7.04         |
| 20  | 3/4   | 117 | 55  | 20  | 82  | 101 | 126 | /   | 160  | ZG3/4 | 147 | 117 | 58.5 | DN40(11/2)  | 7.74         |
| 25  | 1     | 127 | 60  | 25  | 85  | 106 | 137 | /   | 160  | ZG3/4 | 156 | 127 | 63.5 | DN50(2)     | 10.7         |
| 40  | 1 1/2 | 165 | 80  | 40  | 100 | 125 | 169 | /   | 230  | ZG3/4 | 181 | 165 | 62.5 | DN65(2 1/2) | 14.5         |
| 50  | 2     | 178 | 90  | 51  | 153 | 135 | 179 | 576 | 230  | ZG3/4 | 218 | 178 | 68   | DN80(3)     | 17.9         |
| 80  | 3     | 229 | 120 | 76  | 195 | 217 | 258 | 643 | 400  | ZG3/4 | 275 | 229 | 82   | DN150(6)    | 37.3         |
| 100 | 4     | 254 | 140 | 102 | 213 | 265 | 322 | 715 | 700  | ZG3/4 | 300 | 254 | 83   | DN200(8)    | 56           |
| 150 | 6     | 292 | 160 | 152 | 235 | 355 | 415 | 848 | 1100 | ZG1   | 403 | 292 | 95   | DN250(10)   | 93           |
| 200 | 8     | 330 | 180 | 203 | 342 | 410 | 527 | 903 | 1500 | ZG1   | 492 | 330 | 100  | DN300(12)   | 160          |

### Main outline dimensions class 300

mm

| DN  | NPS   | A   | A1  | do  | H   | H1  | H2  | H3  | W    | M     | L   | L1  | E    | Flange size | Weight (kg)  |
|-----|-------|-----|-----|-----|-----|-----|-----|-----|------|-------|-----|-----|------|-------------|--------------|
|     |       |     |     |     |     |     |     |     |      |       |     |     |      |             | Lever (PN40) |
| 15  | 1/2   | 110 | 50  | 15  | 63  | 101 | 126 | /   | 130  | ZG3/4 | 147 | 110 | 58.5 | DN40(11/2)  | 7.24         |
| 20  | 3/4   | 117 | 55  | 20  | 82  | 101 | 126 | /   | 160  | ZG3/4 | 147 | 117 | 58.5 | DN40(11/2)  | 8.24         |
| 25  | 1     | 127 | 60  | 25  | 85  | 106 | 137 | /   | 160  | ZG3/4 | 156 | 127 | 63.5 | DN50(2)     | 11.5         |
| 40  | 1 1/2 | 165 | 80  | 40  | 100 | 125 | 169 | /   | 230  | ZG3/4 | 181 | 165 | 62.5 | DN65(2 1/2) | 18.4         |
| 50  | 2     | 178 | 90  | 51  | 153 | 135 | 179 | 576 | 230  | ZG3/4 | 218 | 178 | 68   | DN80(3)     | 25.1         |
| 80  | 3     | 229 | 120 | 76  | 195 | 217 | 258 | 643 | 400  | ZG3/4 | 275 | 229 | 82   | DN150(6)    | 55.4         |
| 100 | 4     | 254 | 140 | 102 | 213 | 265 | 322 | 715 | 700  | ZG3/4 | 300 | 254 | 83   | DN200(8)    | 76.4         |
| 150 | 6     | 292 | 160 | 152 | 235 | 355 | 415 | 848 | 1100 | ZG1   | 403 | 292 | 95   | DN250(10)   | 118          |
| 200 | 8     | 330 | 180 | 203 | 342 | 410 | 527 | 903 | 1500 | ZG1   | 492 | 330 | 100  | DN300(12)   | 200          |